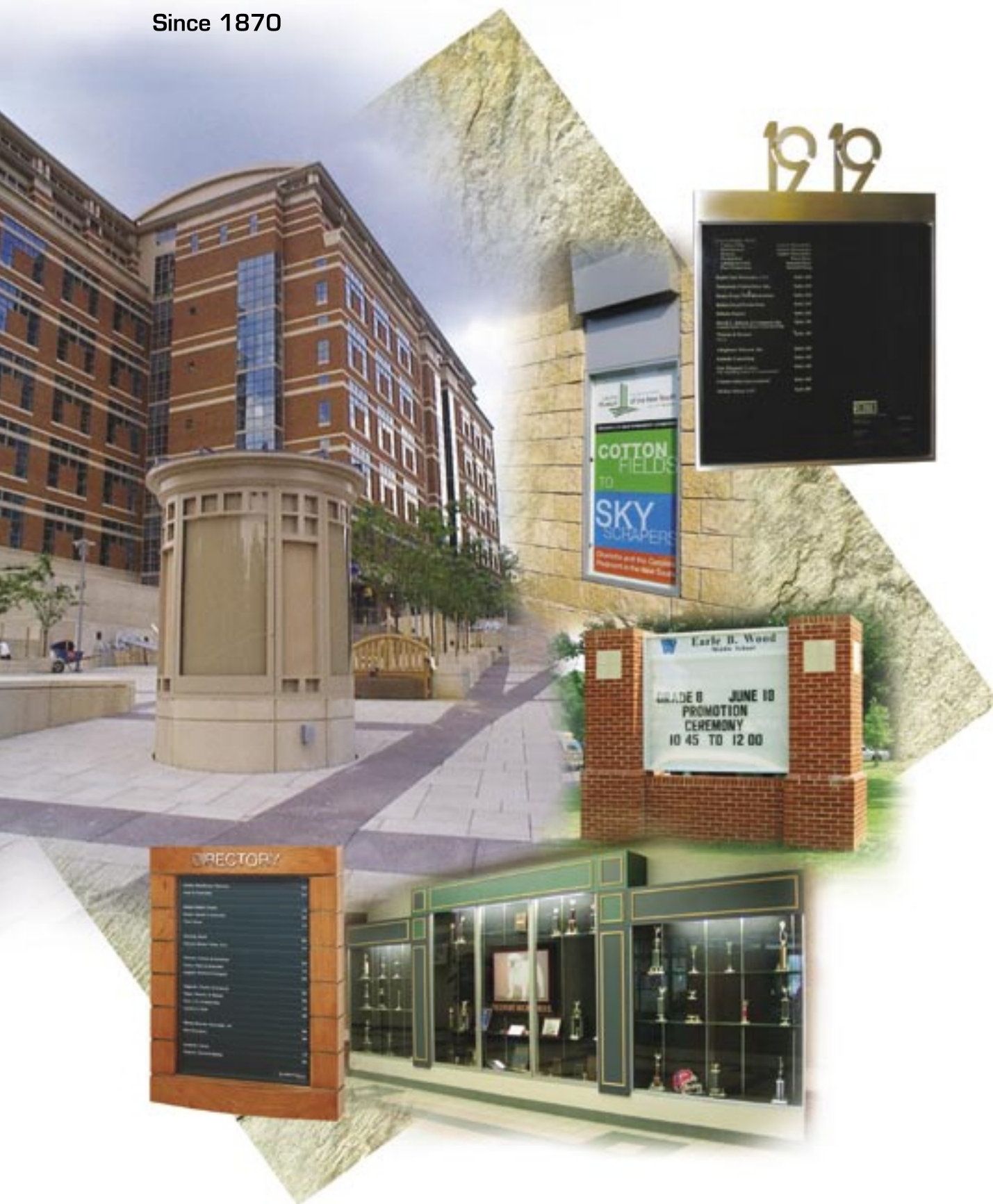




The Tablet & Ticket Co.

Since 1870





Since 1870

The Tablet & Ticket Co.

10 13 00/TAB
BuyLine 5331



1000 Series

Construction:

Aluminum, Brass, Stainless Steel, Wood

Surface, Recessed,

Semi-Recessed, Pedestal or Pylon Mount

PPG Greylite 14 Glazing, Tempered Greylite 14

Frameless, Framed, Suspended Door

120V AC/60Hz, 277V AC/60Hz

4" or 5 3/4" depth.

Finishes:

Aluminum

Clear, Dark Bronze, Black Anodized,

Painted, Mirror (No. 8), Brushed (No. 4)

Solid Brass (Matches Alloys 280, 385)

Mirror (No. 8), Brushed (No. 4), Statuary, Chrome Plated

Stainless Steel

Mirror (No. 8), Brushed (No. 4)

Wood

Choice of Wood

(Cherry, Mahogany, Oak or other hardwoods)

Graphics:

Namestrips

3/8", 7/16", 1/2", 5/8", 9/16", 3/4", 1"

Laser Engraved, 5/8" Photo-Negative

Pre-Printed Reorder Forms & Coupons,

7-10 Day Delivery

Film Transparencies

Maps/Graphics

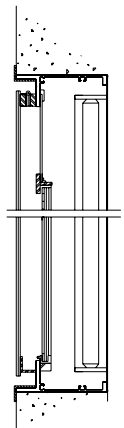
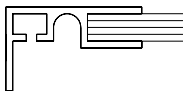
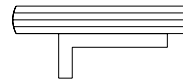
Sizes:

Columns	Capacity	Doors	Width
2	100	1	19 3/4"
3	150	1	27 1/2"
4	200	1	35 1/8"
5	250	1*	42 5/8"
6	300	1*	52 3/8"
8	400	2*	65 3/8"
10	500	2	80 5/8"

Overall height for all sizes is 36", including 4" header panel

Custom Sizes & Designs Welcomed.

*Optional Gas Struts Available on these and other top hinged units.



The Tablet & Ticket Co.



Since 1870



Bound for Chicago, Henry Willson left Toronto, Canada in 1870. Shortly after arriving and opening shop, everything was lost in the Great Chicago fire. The early years were in the printing field, including dry good/pin tickets, labels and paper tablets. In 1895, along with the high rise buildings, came the need for building lobby directories.

Tablet & Ticket had the first patents for strip type building directories. Early units were found in the Manadnock, Reliance, Tribune Tower, Wrigley, Empire State buildings and numerous others. By 1928 over 20,000 directories were in place. The first illuminated also came from Tablet & Ticket in 1940.

Today, Tablet & Ticket is still the leader for custom directories, display cases and other products. All units are built to order, We welcome your calls for custom designs and modifications to units shown in this brochure. Fax or Mail your preliminary designs and we will work with you to provide your client with the product they require.





900 DC

Construction:

Choice of Framing
 1/4" Sliding Glass Doors, Tempered or Plate
 Surface, Recessed, Semi-Recessed Mount
 Illuminated or Non-Illuminated
 Choice of Interior Finish
 Etched Finger Pulls (*Unframed Doors*)
 Lock

Finishes:

Aluminum
 Clear, Dark Bronze, Black Anodized
 Mirror (*No. 8*), Brushed (*No. 4*)
 Painted

Brass (Selected Models)

Mirror (*No. 8*), Brushed (*No. 4*), Statuary (*Not available on 900 HD*)

Stainless Steel

Mirror (*No. 8*), Brushed (*No. 4*), (*Not available on 900 HD*)

Backgrounds:

Stained or Unfinished Plywood
 Fabric/Laminate Covered Plywood
 Felt Covered Cork or
 Changeable Letter Board (*7 Colors*)
 Glass Shelves, 1/4" Plate Glass, Tempered

Sizes:

Width x Height			
48" x 36"	60" x 36"	72" x 36"	96" x 48"
48" x 48"	60" x 48"	72" x 48"	96" x 60"
48" x 60"	60" x 60"	72" x 60"	96" x 72"
48" x 72"	60" x 72"	72" x 72"	96" x 96"





Since 1870

The Tablet & Ticket Co.

10 13 00/TAB

BuyLine 5331



KIOSKS/PYLONS

Construction:

Rigid Outer Frame
Custom Designs/Sizes
Illuminated, Non-Illuminated
Exterior, Interior

Finishes:

Aluminum, Stainless Steel, Brass
Painted (*Acrylic Polyurethane, Powder Coat*)
Galvanized
Brushed (*No. 4*), Mirror (*No. 8*)

Backgrounds:

Fabric Covered Cork
Changeable Letter
Steel (*magnetic inserts*)
Rear Illuminated Graphics
Graphic Inserts/Maps

Sizes:

All Units are Made to Order
Please Call, Fax, E-Mail Requirements.

Custom Sizes & Designs Welcomed.



Since 1870

The Tablet & Ticket Co.

10 13 00/TAB

BuyLine 5331



950 Series

Construction:

Extruded aluminum frame, 9" deep.
Illuminated or Non-Illuminated.
Heavy Duty Door Frame with
Polycarbonate Glazing.
Custom size and designs.
Single or Double Faced.

Finishes:

Clear, Dark Bronze, Black Anodized.
Acrylic Polyurethane
(PMS or Color Match).

Backgrounds:

White or Translucent Colors on
Acrylic (Illuminated).
White, Black, PMS or Color Match on Aluminum
(Non-Illuminated).
Letters, White or Black, 4", 6", 8", 10" or 12".
Cork, 1/4" natural cork & vinyl covered.



Sizes:

Width x Height

49" x 36"	61" x 36"	73" x 36"	97" x 48"	121" x 48"
49" x 48"	61" x 48"	73" x 48"	97" x 60"	121" x 60"
	61" x 60"	73" x 60"		

Custom Sizes & Designs Welcomed.



Menu Display Cabinets

Construction:

Rigid Outer Frame, 1/4" Face
Inset Door Frame, 1 1/4" Face with Key Lock
Continuous Piano Hinge
Illuminated, Non-Illuminated
Exterior, Interior

Finishes:

Aluminum
Clear, Dark Bronze, Black Anodized
Mirror (No. 8), Brushed (No. 4)
Painted, Acrylic Polyurethane
LuminOre® Composite Metals

Brass (matches Alloy 280 and 385)
Brushed (No. 4), Mirror (No. 8)

Stainless Steel
Brushed (No. 4), Mirror (No. 8)

Backgrounds:

Velcro® Covered Cork, Steel, Menu Slot

Mounting:

Surface, Recessed, Free Standing

Sizes:

8 1/2" x 11 Inserts
Width x Height

	1 Sheet	2 Sheets No Header Panel	3 Sheets
Sheets High			
1	16 1/4" x 16"	23" x 16"	32" x 16"
2	16 1/4" x 28"	23 1/4" x 28"	32 1/2" x 28 1/4"
3			
		6" Header Panel	
1	16 1/4" x 22"	23 1/4" x 22"	32 1/4" x 22"
2	16 1/4" x 34"	23 1/4" x 34"	32 3/4" x 34"





The Tablet & Ticket Co.

Since 1870

10 13 00/TAB
BuyLine 5331



900



900



900

Shown with optional crown molding



500



500

900 Series

Construction:

Rigid Outer Frame,
1/4" Face
Inset Door, 1 1/4" Face with Key Lock
Continuous Piano Hinge, Pivot Hinge
Illuminated, Non-Illuminated
Interior, Exterior, Specify

Sizes:

Width x Height

Single Door	Two Door	Three Door
18" x 24"	48" x 36"	96" x 36"
24" x 36"	48" x 48"	96" x 48"
30" x 36"	60" x 36"	
36" x 36"	60" x 48"	
36" x 48"	72" x 36"	
	72" x 48"	

500 Series

Construction:

Aluminum, Solid Brass,
Stainless Steel, Wood Frame
Three Profiles – Square, Step and Reveal
Double Strength, Tempered,
Plexiglas, Lexan Glazing
Key Lock (*Square & Wood Frame*),
Concealed Lock (*Reveal Frame*)
Surface Mount

Sizes:

Namestrip Background
No. of 7" (1/2") Strip

Columns	Capacity	Width
2	100	16 3/4"
3	150	24"
4	200	31 1/4"
5	250	38 1/2"
6	300	45 3/4"

Cork, Changeable Letter, Map Background

Width x Height

15" x 20"	36" x 36"
18" x 24"	32" x 44"
24" x 36"	36" x 48"



500



500

Finishes:

Aluminum
Clear, Dark Bronze, Black Anodized,
Mirror (*No. 8*), Brushed (*No. 4*),
Painted, Acrylic Polyurethane

Brass (*Matches Alloy 280 and 385*)
Mirror (*No. 8*), Brushed (*No. 4*), Statuary
(*US10B*)

Stainless Steel
Mirror (*No. 8*), Brushed (*No. 4*)

Wood (*500 Series only*)
Choice of Wood,
(Cherry, Mahogany, Oak or other hardwoods)

Backgrounds:

Namestrips
1/2" x 7", 3/4" x 10", 1" x 14", or as required

Cork
Felt Covered (*7 Colors*), Vinyl Covered (*7 Colors*)
Plastic Impregnated (*8 Colors*)
Changeable Letter Board
Felt Covered (*7 Colors*), Grooved Rubber (*5 Colors*),
Customer Supplied Fabric

Magnetic Display Board
Floor Plans and/or Maps

Custom Sizes and Designs Welcomed.



Imagemakers

Construction:

Extruded Aluminum
 Three Profiles – Radius, Square or Bevel.
 Acrylic Glazing, Abrasion Resistant
 Surface Mount
 Illuminated

Finishes:

Case: Standard or Matched Colors

Extruded Trim:

Aluminum
 Clear, Dark Bronze, Black Anodized
 Standard or Matched Colors
 Mirror (No. 8), Brushed (No. 4)

Brass

Mirror (No. 8), Brushed (No. 4)

Namestrips:

1/2", 3/4" or 1" High by Length Required
 (9" Std.)
 Custom Height and Lengths Available
 Pre-Printed Reorder Forms & Coupons
 Standard or Matched Colors

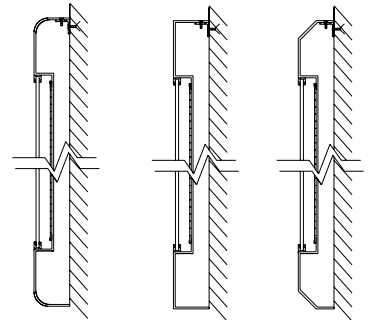
Backgrounds:

Cork
 Natural Tan
 Premium Grade (8 Colors)

Changeable Letter Board
 Grooved Rubber (5 Colors)

Maps and/or Floor Plans

Magnetic Sheet Display



Sizes:

Width x Height	Columns	Strip Capacity		
		1/2"	3/4"	1"
19 1/4" x 30"	2	80	60	40
37 3/4" x 30"	4	160	120	80
56 1/4" x 30"	6	240	180	120
74 3/4" x 30"	8	320	240	160
93 1/4" x 30"	10	400	300	200



850 Series

Construction:

Extra Rigid Aluminum Frame (1/8" Wall).
 Three Door Profiles – Radius, Square or Bevel.
 Interior or Exterior, Specify.
 Illuminated or Non-Illuminated.
 Concealed Piano Hinge.

Finishes:

Aluminum
 Clear, Dark Bronze, Black Anodized
 Painted - Acrylic Polyurethane (PMS Number)

Glazing

Double Strength Glass,
 1/4" Clear Tempered,
 Acrylic, Polycarbonate.

Background:

Namestrips
 1/2" x 7", 3/4" x 10", 1" x 14", or custom.

Cork

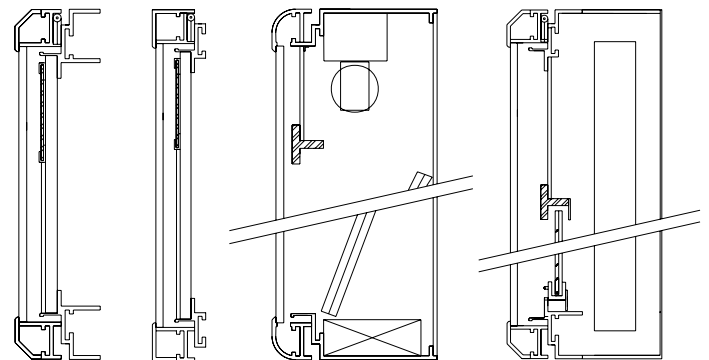
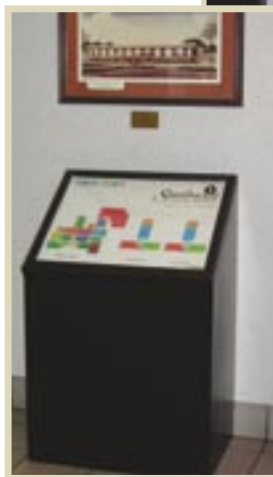
Felt Covered, Vinyl Covered, Plastic Impregnated
 Customer Supplied Fabric.

Changeable Letter Board

Felt Covered (7 Colors),
 Vinyl Covered (7 Colors),
 Customer Supplied Fabric.

Magnetic Display

Floor Plan and/or Maps



Sizes:

Namestrip Background

No. of 7" Columns	(1/2") Strip Capacity	Width
2	100	17 1/4"
3	150	24 1/4"
4	200	31 3/4"
5	250	39"
6	300	46 1/4"

Cork, Changeable Letter, Map Background

Width x Height	
18" x 24"	36" x 48"
24" x 36"	36" x 60"
30" x 36"	36" x 72"
36" x 36"	48" x 72"

Overall Height is 34", 4" Header Panel



Since 1870

The Tablet & Ticket Co.

10 13 00/TAB

BuyLine 5331



800 Series

Construction:
Rigid Aluminum Frame,
Aluminum Door
Interior or Exterior, Specify
Illuminated or Non-Illuminated
Key Lock

Finishes:
Aluminum
Clear, Dark Bronze, Black Anodized
Painted, Acrylic Polyurethane (*PMS Number*)

Background:
Cork
Felt Covered, Vinyl Impregnated, Vinyl Covered
Customer Supplied Fabric

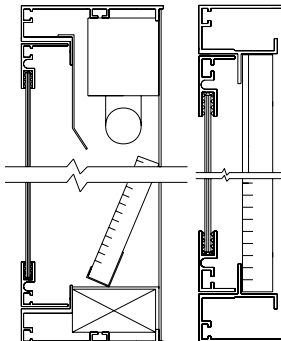
Changeable Letter Board
Felt Covered (*7 Colors*), Vinyl Covered (*7 Colors*)
Customer Supplied Fabric

Magnetic Display

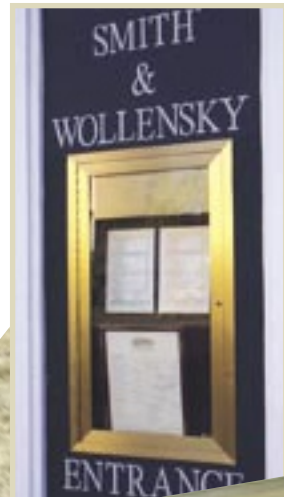
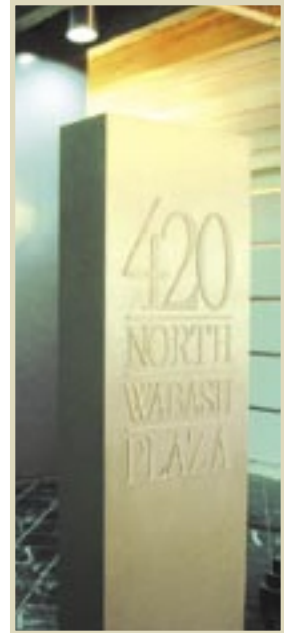
Floor Plan and/or Maps

Sizes:

Width x Height		
Single Door	Two Door	Three Door
18" x 24"	48" x 36"	72" x 48"
24" x 36"	60" x 36"	96" x 36"
36" x 36"	60" x 48"	96" x 48"
36" x 48"	72" x 36"	
	72" x 48"	



Custom Sizes & Designs Welcomed.



Since 1870

The Tablet & Ticket Co.

1120 Atlantic Dr. • West Chicago, Illinois 60185
630/231-6611 • 800/438-4959 • Fax: 630/231-0211
www.tabletandticket.com • sales@tabletandticket.com

