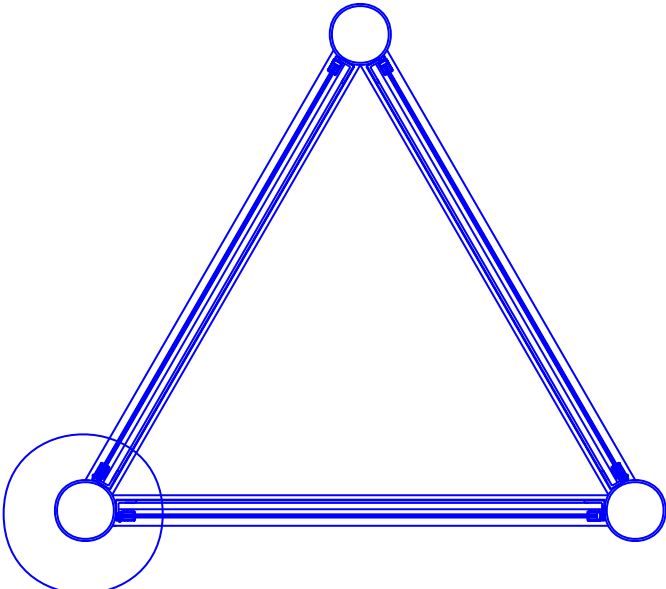
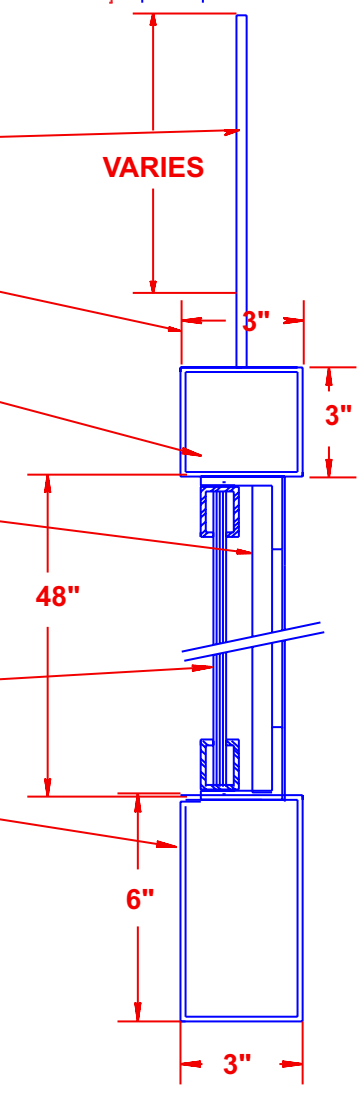


SIDE ELEVATION



SECTION B-B

- ALUMINUM SHEET
SATIN ALUMINUM
ACRYLIC POLYURETHANE
- ALUMINUM TUBE
SATIN ALUMINUM
ACRYLIC POLYURETHANE
- HEAVY DUTY ALUMINUM DOOR FRAME
MATTHEW'S BRUSHED ALUMINUM
- 1/4" NATURAL CORK - BLACK VELCRO
FABRIC COVERING
- CLEAR TEMPERED GLASS
- ALUMINUM TUBE
SATIN ALUMINUM
ACRYLIC POLYURETHANE



SECTION A-A

- 2" X 2" X 1/4" ALUMINUM ANGLE
- 3" X 6" ALUMINUM TUBE BELOW
- SHEET METAL BACK PAN
- CLEAR TEMPERED GLASS
- HEAVY DUTY ALUMINUM DOOR
- 1/4" PIANO HINGE
- TUBE WELDED AND GROUND SMOOTH

Date: 10.2.11	950K SERIES	By: lom
Revised: 10.14.11		Dwg: mesquite950K
Project: Mesquite City Hall		
Approved By:		
Mfg By:	The Tablet & Ticket Co.	
	West Chicago, IL	800. 438.4959