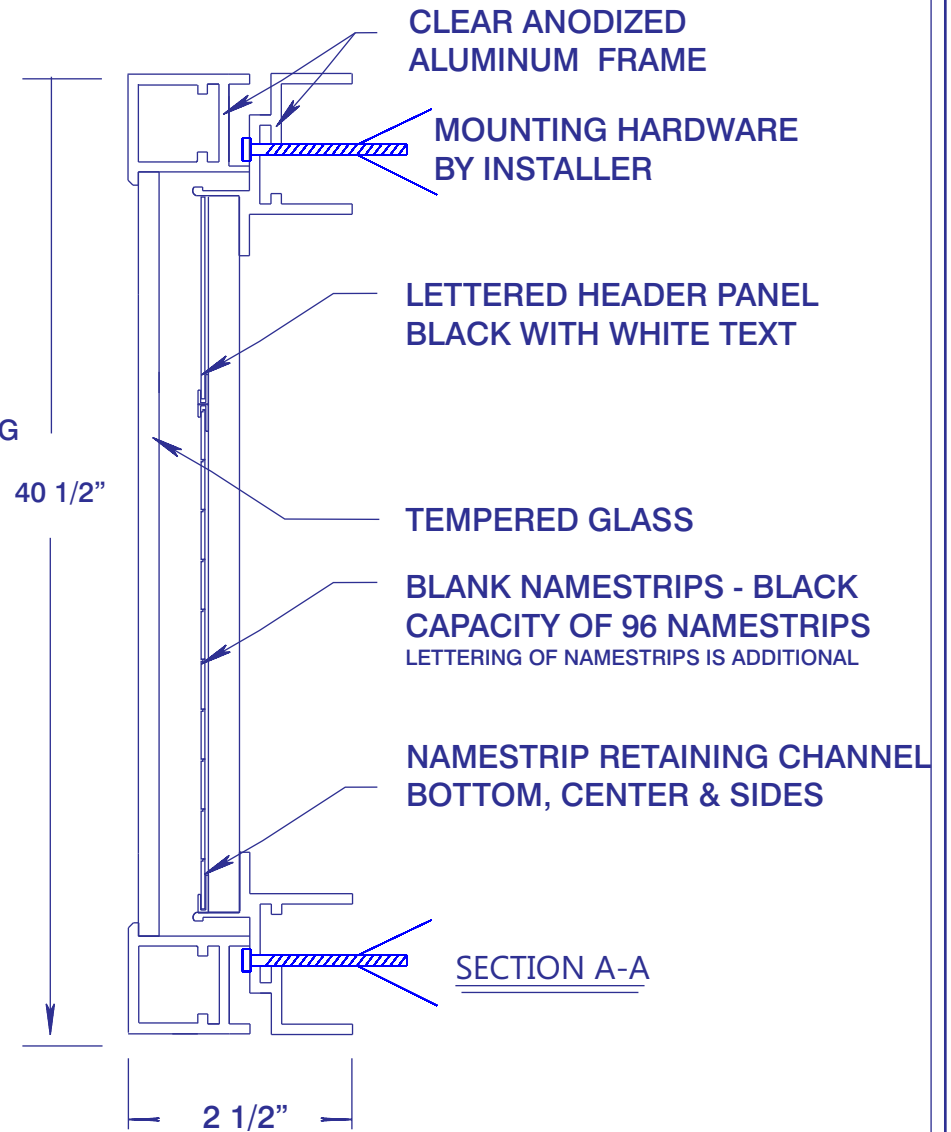
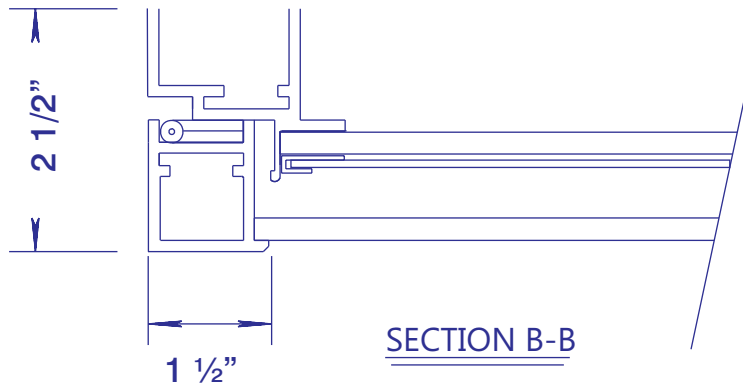


FRONT ELEVATION



SECTION A-A



SECTION B-B

Specify Header Text & Font:

\_\_\_\_\_

<b>Sign A Rama San Francisco</b>		
Date: 12.18.2012	<b>850</b>	By: bsb
Revised:	<b>SERIES</b>	Dwg: sarsf850nihoj
Project:	Hall of Justice	
Approved By:		
Mfg By:	<b>The Tablet &amp; Ticket Co.</b>	
	West Chicago, IL	800. 438.4959